



- Our products won a number of Chinese national patents and also CE certification
- The performance failure rate is less than 0.01%
- Widely used in manual line, XYZ platform, multi-axis, module, robot and other locking screw processes
- Stainless steel structure and multiple sets of brushless motors, suitable for long-term operation
- Open track, visual effects, and freedom of operation for employees
- With data port, it can be directly connected with PLC or control panel
- No need for pneumatic device, simple design and humanized design
- Compact product, easy to operate



Model	GW4000S		
	Screw Feeder	Screwdriver Guide Handle	Screwdriver
Dimensions	239X152X167mm	φ35.0mm	Lengthg240mm
Weight	2.9Kg	0.16Kg	0.48Kg
Voltage	DC12V		DC24V OR 30V
Power	12W		60W
Suitable screw Capacity	M4.0 screw head diameter 6.0-6.5/6.5-7.0/7.0-7.5/7.5-8.0 thread length 8.0-14.0 about 1000 pcs		



Model	GW3500S		
	Screw Feeder	Screwdriver Guide Handle	Screwdriver
Dimensions	239X152X167mm	φ35.0mm	Lengthg240mm
Weight	2.9Kg	0.16Kg	0.48Kg
Voltage	DC12V		DC24V OR 30V
Power	12W		60W
Suitable screw Capacity	M3.5 screw head diameter 5.5-6.0mm thread length 7.0-14.0mm about 1500 pcs		



Model	GW3000S		
	Screw Feeder	Screwdriver Guide Handle	Screwdriver
Dimensions	239X152X167mm	φ35.0mm	Lengthg240mm
Weight	2.9Kg	0.16Kg	0.48Kg
Voltage	DC12V		DC24V OR 30V
Power	12W		60W
Suitable screw Capacity	M3.0 screw head diameter 4.8-5.4mm thread length 6.0-14.0mm about 2000 pcs		



Model	GW2600S		
	Screw Feeder	Screwdriver Guide Handle	Screwdriver
Dimensions	239X152X167mm	φ31.0mm	Lengthg217mm
Weight	2.9Kg	0.12Kg	0.37Kg
Voltage	DC12V		DC24V OR 30V
Power	12W		60W
Suitable screw Capacity	M2.6 screw head diameter 3.9-4.4mm thread length 6.0-12.0mm about 2600 pcs		



Model	GW2300S		
	Screw Feeder	Screwdriver Guide Handle	Screwdriver
Dimensions	239X152X167mm	φ31.0mm	Lengthg217mm
Weight	2.9Kg	0.12Kg	0.37Kg
Voltage	DC12V		DC24V OR 30V
Power	12W		60W
Suitable screw Capacity	M2.3 screw head diameter 3.5-3.9mm thread length 5.0-10.0mm about 3200 pcs		



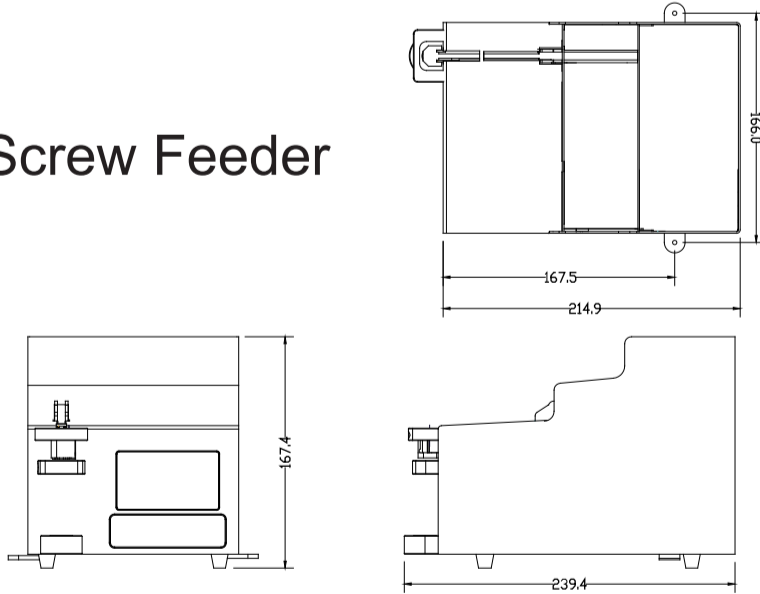
Model	GW2000S		
	Screw Feeder	Screwdriver Guide Handle	Screwdriver
Dimensions	239X152X167mm	φ31.0mm	Lengthg217mm
Weight	2.9Kg	0.12Kg	0.37Kg
Voltage	DC12V		DC24V OR 30V
Power	12W		60W
Suitable screw Capacity	M2.0 screw head diameter 2.9-3.5mm thread length 5.0-10.0mm about 6000 pcs		



Model	GW1700S		
	Screw Feeder	Screwdriver Guide Handle	Screwdriver
Dimensions	228X152X153mm	φ31.0mm	Lengthg217mm
Weight	2.3Kg	0.12Kg	0.37Kg
Voltage	DC12V		DC24V OR 30V
Power	12W		60W
Suitable screw Capacity	M1.7 screw head diameter 2.7-3.0mm thread length 5.0-8.0mm about 8000 pcs		

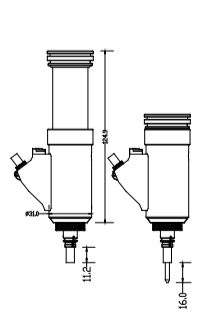
## Dimension

### Screw Feeder



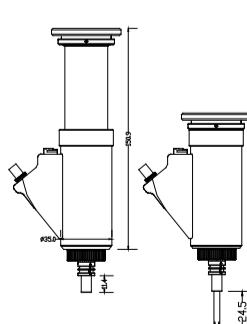
### Screwdriver Guide Handle

Small guide handle



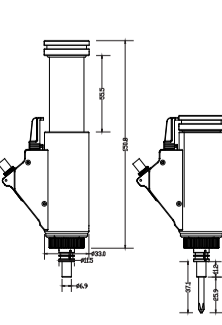
Suitable screw gM1.7/2.0/2.3/2.6

Large guide handle



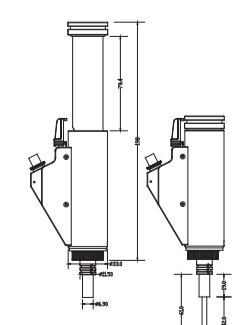
Suitable screw gM3.0/3.5/4.0

integrated long guide handle



Suitable screw gM3.0/3.5/4.0

integrated lengthen guide handle



Suitable screw gM3.0/3.5/4.0

### Automatic Guide Parts

